

# E-compact instant water heater CEX



## Application areas

Single point supply:

- > Kitchen sink
- > Washbasin
- > Double washbasin
- > Disposal sink

Multiple point supply:

- > Shower and washbasin



# E-compact instant water heater

## CEX

### Product information



**Energy efficiency class** **A** (Scale: A+ to F) **CEX** (with Multiple Power System: 11 or 13.5 kW adjustable)

Part number:	2400-26233	
Type:	closed-outlet	
Maximum operating pressure [MPa (bar)]:	1 (10)	
Water connections (thread connections):	G ½"	
User set temperature [°C]:	20 to 60	
Hot water output at $\Delta t = 33\text{ K}^{1) 2)}$ [l/min]:	4.8	5.8 <sup>3)</sup>
Switch-on flow rate / max. flow rate <sup>4)</sup> [l/min]:	2 / 5	
Nominal power rating [kW]:	11.0	13.5
Voltage supply 3~ / PE 400 V AC	Fixed connection	
Nominal current <sup>2)</sup> [A]:	16	20
Required cable diameter <sup>2)</sup> [mm <sup>2</sup> ]:	1.5	2.5
Bare wire heating system IES®:	✓	
Ready for Smart Control:	✓  (optional)	
Ready for FX wireless remote control:	✓  (optional)	
Solar-compatible, suitable for reheating (inlet temperature $\leq 70\text{ °C}$ ):	✓  *	
VDE approved / Protection class:	✓ / IP 25	
Specific water resistance at 15 °C [ $\Omega\text{cm}$ ] $\geq$ :	1000	
Nominal volume [litres]:	0.3	
Weight filled with water [kg]:	approx. 2.7	
Dimensions (height × width × depth) [cm]:	29.4 × 17.7 × 10.8	

1) Temperature increase e.g. from 12 °C to 45 °C 2) Depending on the selected power rating 3) Mixed water 4) Limited flow amount for optimal temperature increase

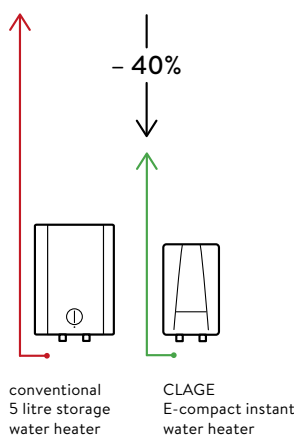
#### Description

- > Electronically controlled instant water heater with compact design as oversink appliance
- > Push-button operation with LCD indicator for precise temperature setting between 20 °C and 60 °C
- > Two programming buttons for individual pre-set temperatures limits as well as function indicators
- > Adding cold water is no longer necessary
- > Easy installation facilitated by small dimensions and external ½ inch water connectors
- > With power cable for 3-phase power supply
- > Precise temperatures due to TWIN TEMPERATURE control TTC® up to the capacity of the appliance
- > The efficient bare wire heating system IES® reduces lime scale deposits and provides an extended service life
- > With the Multiple Power System MPS®, the maximum power rating is set at the time of installation: 11 or 13.5 kW
- > Can also be controlled via tablet or smartphone (iOS 9 or higher / Android-OS 4.4 or higher, FXE adapter, CLAGE Home Server and the »Smart Control« app required)
- > Solar-compatible (inlet temperature  $\leq 70\text{ °C}$ )

#### Profitability comparison (Source: www.clage.com)

**Saves up to 40 % energy compared to conventional storage heaters.**

The E-compact instant water heater features an economical operation. The water is heated directly as it flows through the unit. Hot water is not stored in a tank, which saves standby energy that would be otherwise required.

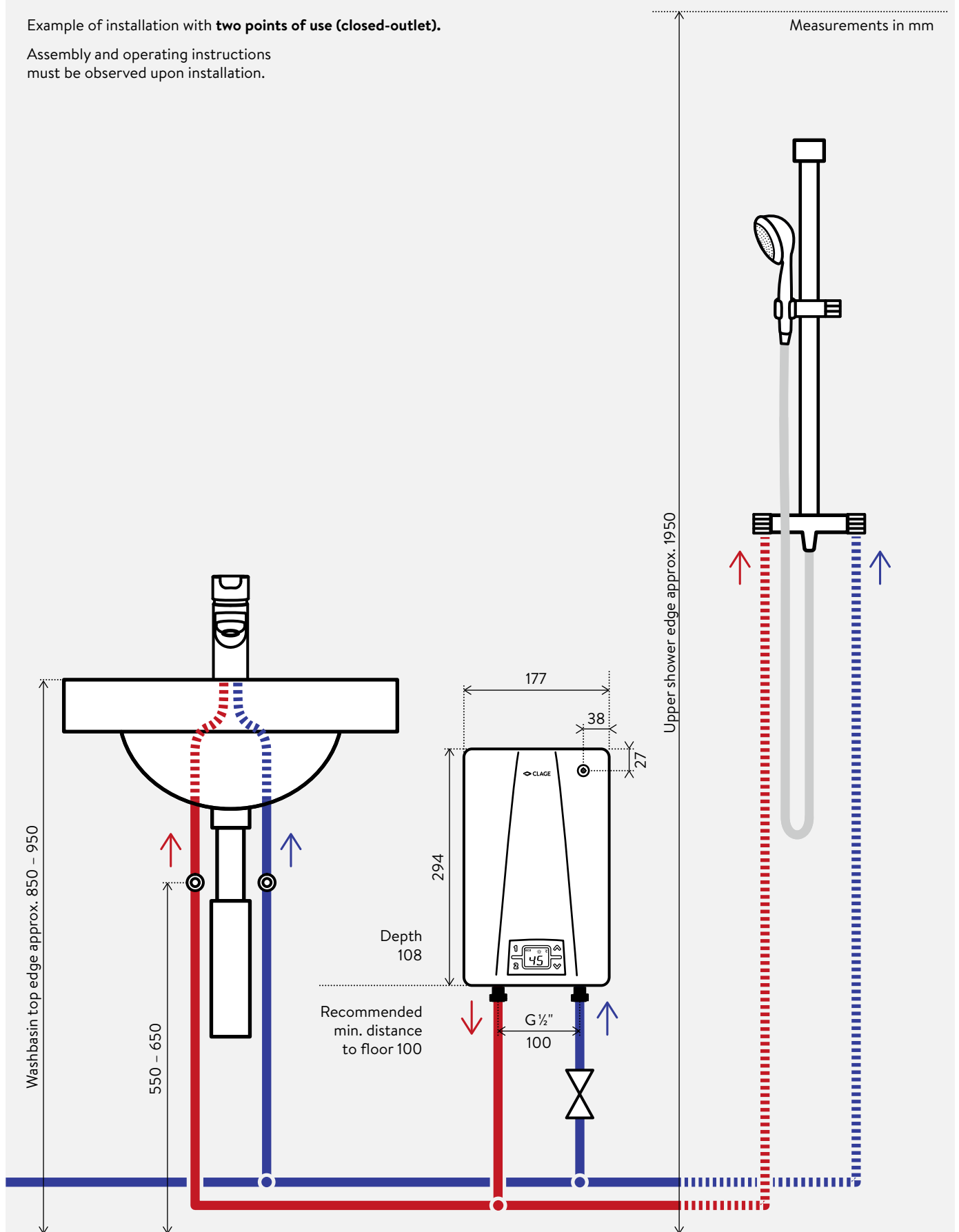


# E-compact instant water heater CEX Installation



Example of installation with **two points of use (closed-outlet)**.

Assembly and operating instructions must be observed upon installation.



# E-compact instant water heater

## CEX

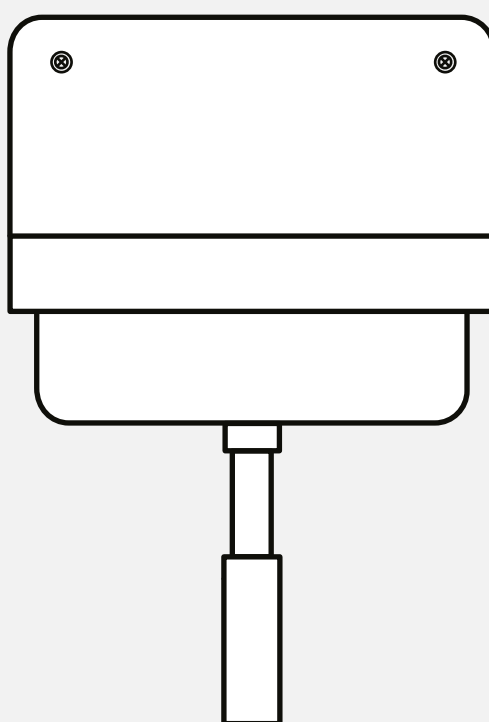
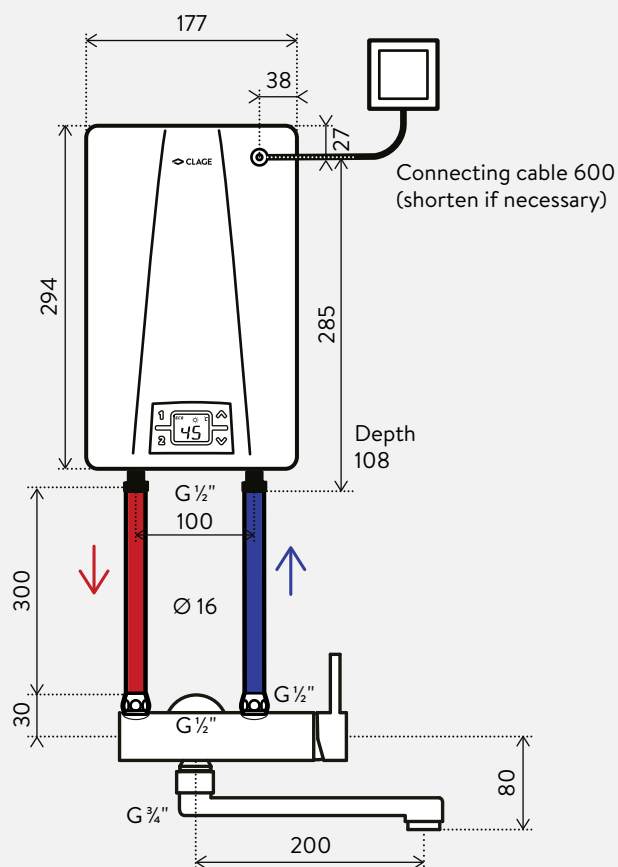
### Installation



Measurements in mm

Example of installation:  
with **vented wall-mounted mixer tap SSO**  
to supply a **disposal sink**.

Assembly and operating instructions  
must be observed upon installation.



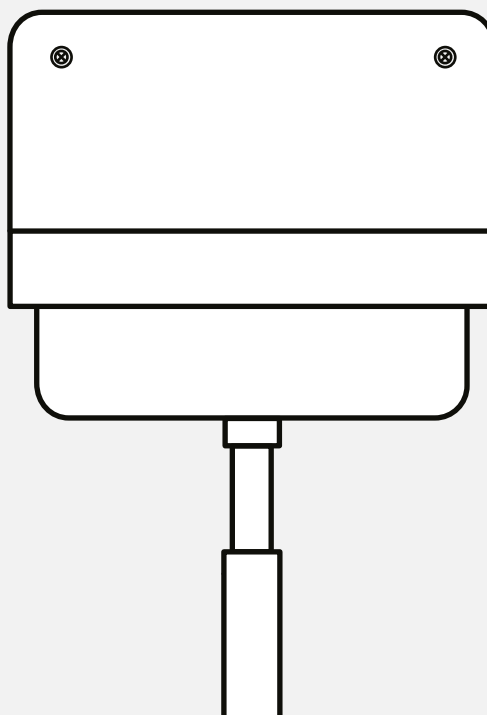
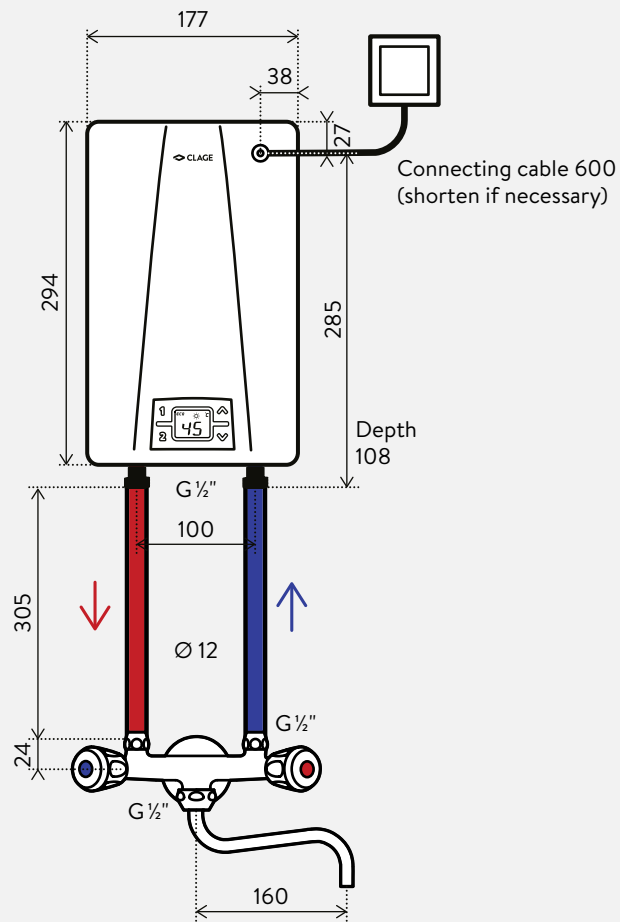
# E-compact instant water heater CEX Installation



Example of installation:  
with **vented wall-mounted mixer tap SNO**  
to supply a **disposal sink**.

Assembly and operating instructions  
must be observed upon installation.

Measurements in mm



# E-compact instant water heater

## CEX

### Accessories



#### **FX** (optional)

In addition to user controls directly at the unit, the remote control allows for convenient temperature adjustment of the instant water heater at interior distances of up to 10 meters. Secure, bidirectional wireless transfer, continuous two-button temperature selection, two pre-set buttons and a LCD display, magnetic wall holder and batteries included. IP20.

Dimensions (H × W × D): 5.8 × 12.5 × 1.9 cm

**FX:** Part no. 2400-26090



#### **Accessory recommendation for shower use** (optional)

##### **Adjustable hand shower CXH**

Hand shower for instant water heater, two modes adjustable, anti-scale insert, chrome.

Dimensions: 22.5 cm length, shower head Ø 85 mm

**CXH:** Part no. 0300-0086



#### **Accessory recommendation for disposal sink** (optional)

##### **SSO** (open-outlet)

Single-lever wall mixer tap with swivel spout 20 cm

**SSO:** Part no. 4100-01250



#### **Accessory recommendation for disposal sink** (optional)

##### **SNO** (open-outlet)

Wall-mounted mixer tap with combination valve and swivel spout 16 cm

**SNO:** Part no. 4100-0110



**Aerator CSP 6, CSP 6a and CSP 6i (optional)**

The aerator at the tap supports the energy- and water-saving operation of the compact instant water heater. The new special CSP aerators mix air into the water and thus create a uniform water stream that does not splatter but softly cascades down.

- > Aerator insert for tap adapter M 22/24 at the tap  
**CSP 6 (< 3.5l / min):** Part no. 0010-00461
- > Aerator with chrome tap adapter M 24a  
(suitable for taps with internal thread at outlet)  
**CSP 6a:** Part no. 0010-0047
- > Aerator with chrome tap adapter M 22i  
(suitable for taps with external thread at outlet)  
**CSP 6i:** Part no. 0010-0046